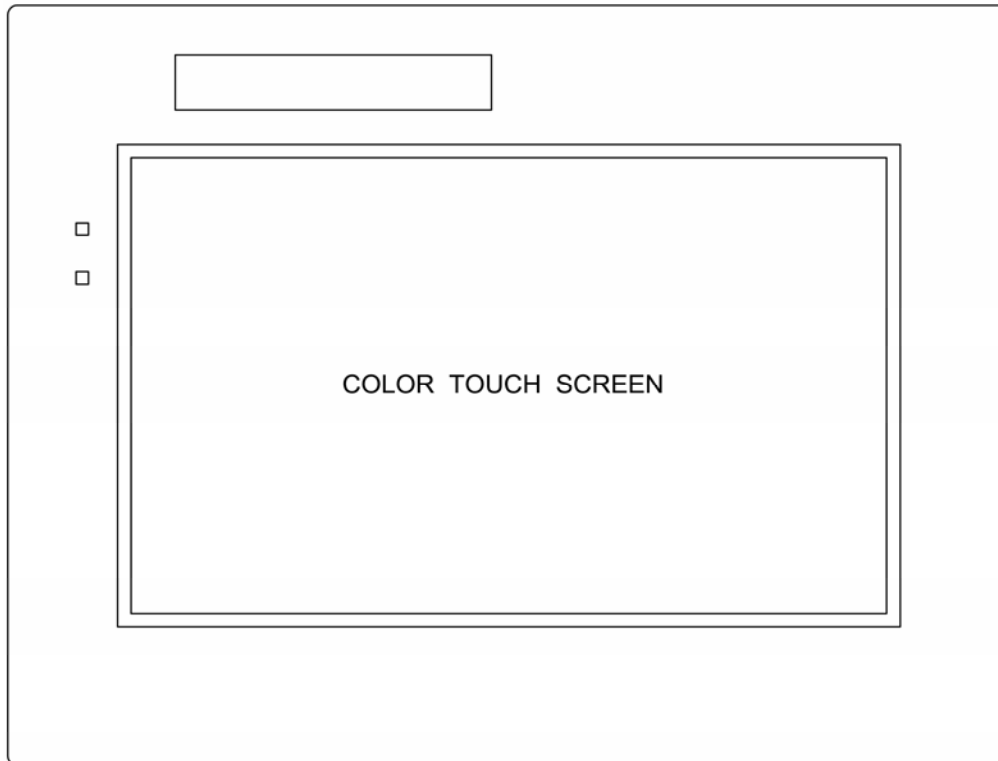


## SC5000-CTS-HMI



### General Description and Purpose

The **SC5000-CTS-HMI** is a **C**olor **T**ouch **S**creen HMI and is recommended for LEVEL CONTROL, FLOW CONTROL, PRESSURE CONTROL, BOOSTER DISCHARGE PRESSURE CONTROL or BOOSTER SUPPLY PRESSURE CONTROL applications that have control over the enclosure internal temperature.

The SC5000-CTS-HMI is programmed with display screens that shows the Pump Call to Run status, Alarm status, Parameter Security Write Access status, and Fault Codes. All Setup Parameters are made available on its display screens for the operator to view or change.

The SC5000-CTS-HMI is a C-more (Automation Direct), 7 inch color TFT LCD, EA9 series Touchscreen HMI, programmed to provide all necessary HMI screens to interface with the SC5000.

The SC5000-CTS-HMI operates as a Modbus Master using the Modbus TCP protocol.

Operating Temperature Range:  $-0$  to  $50^{\circ}\text{C}$  ( $32$  to  $122^{\circ}\text{F}$ )

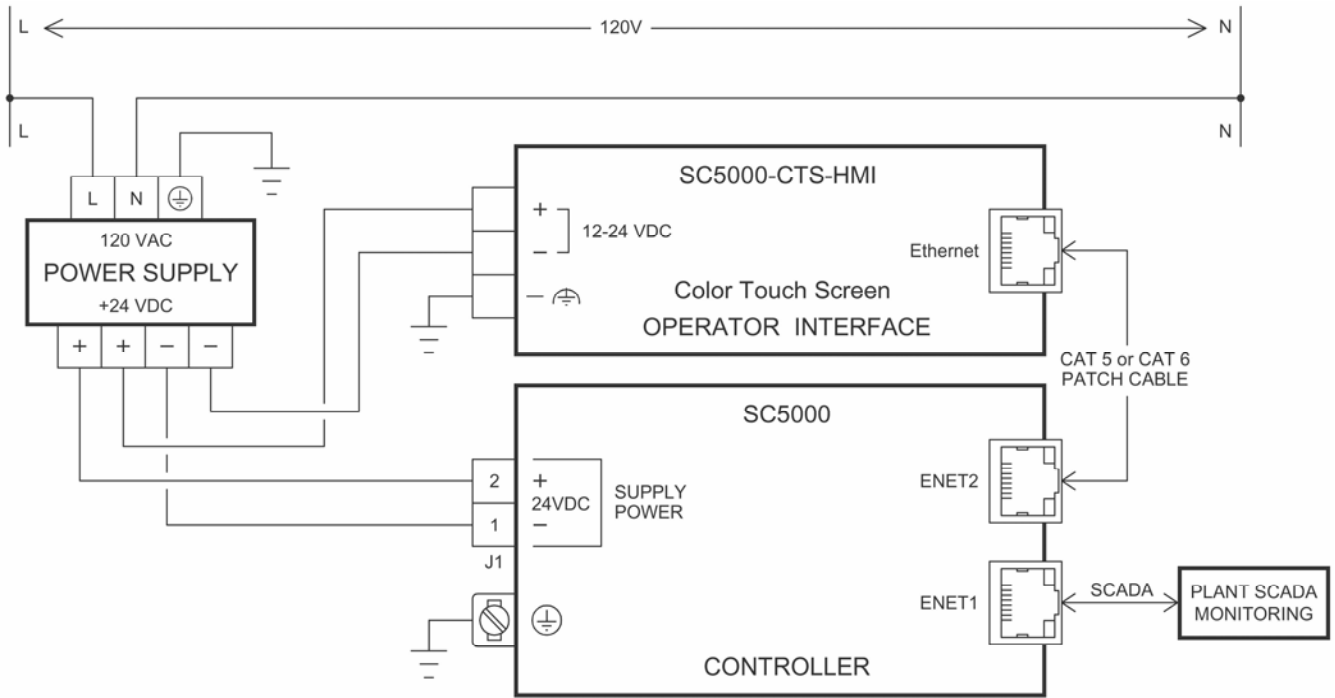
**The SC5000-CTS-HMI is only recommended for applications that have temperature controls that keeps the enclosure internal temperature within:  $-0$  to  $50^{\circ}\text{C}$  ( $32$  to  $122^{\circ}\text{F}$ ).**

The SC5000-CTS-HMI should be connected to the Ethernet Port ENET2 using a Cat 5 or Cat 6 Ethernet Patch Cable.

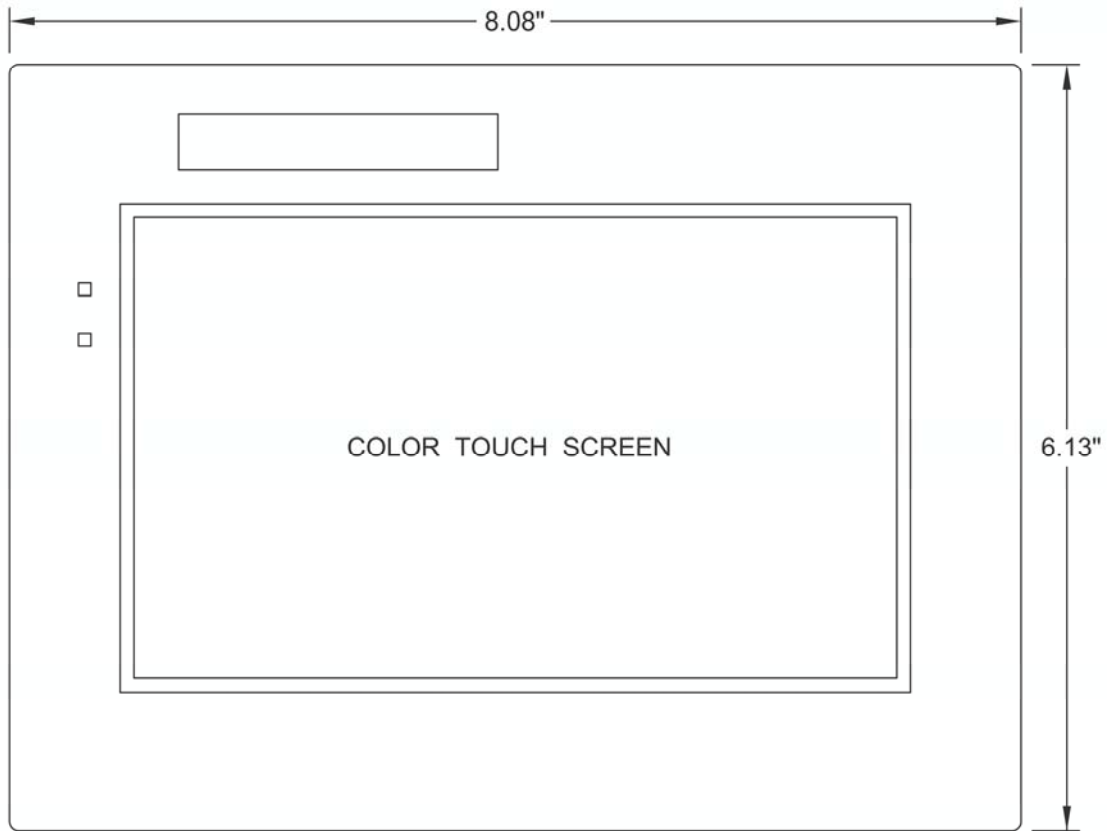
The SC5000-CTS-HMI may be connected to Ethernet Port ENET1 but it is not recommended because ENET1 has a higher level of Parameter Security that hampers or prevents a number of HMI features from working. Ethernet Port ENET1 will not allow Write Access to Modbus Coils (Register Bits), which many of the HMI features require to operate (unless Parameter Security is first Unlocked). Also, the following features are blocked from functioning through ENET1: Parameter Security Setup, Parameter Restore to Factory Defaults, and Parameter Backup and Restore using a USB Flash drive.

For connection diagram see page W-2.

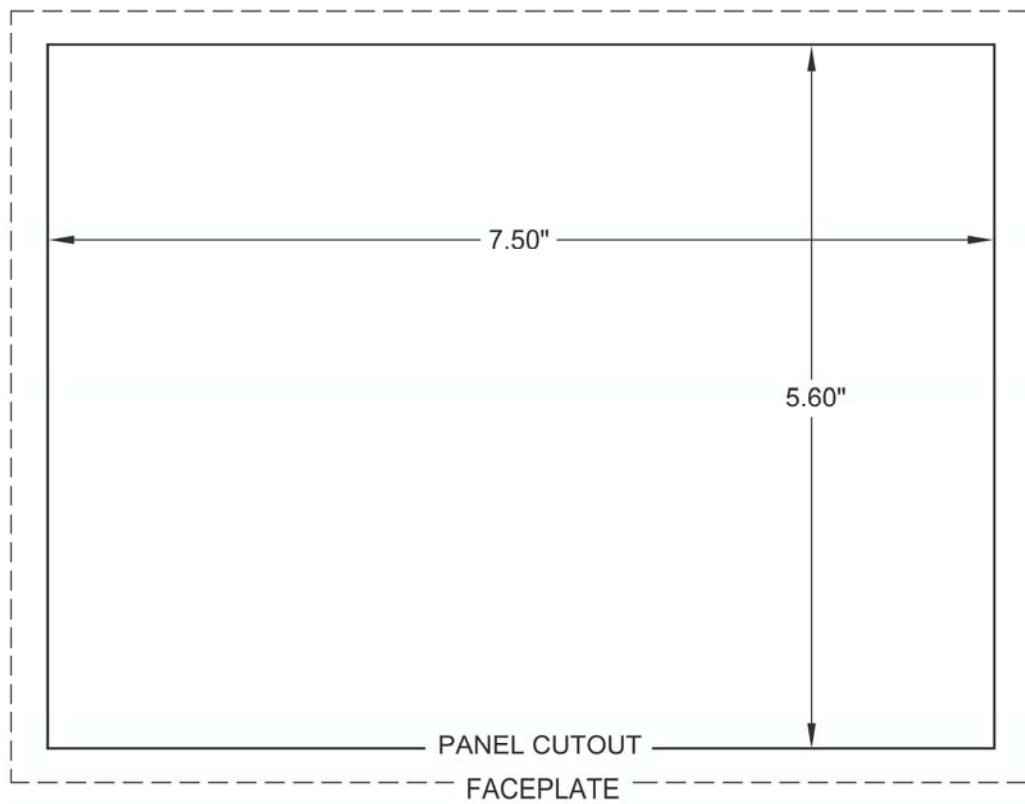
# CONNECTION DIAGRAM



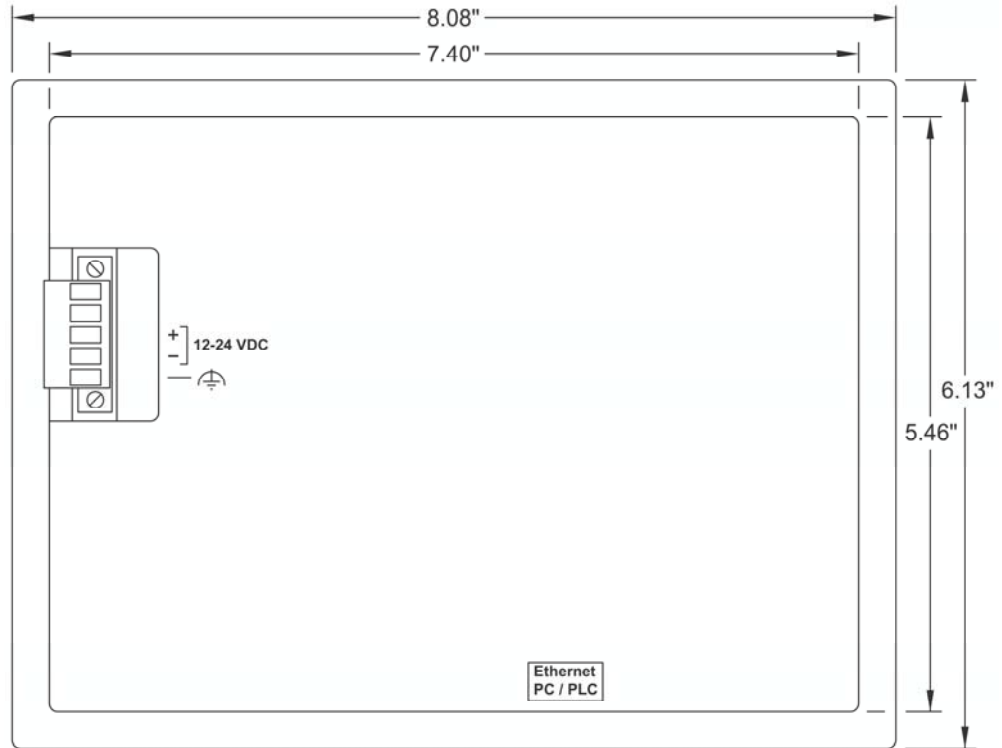
**ENCLOSURE FRONT**



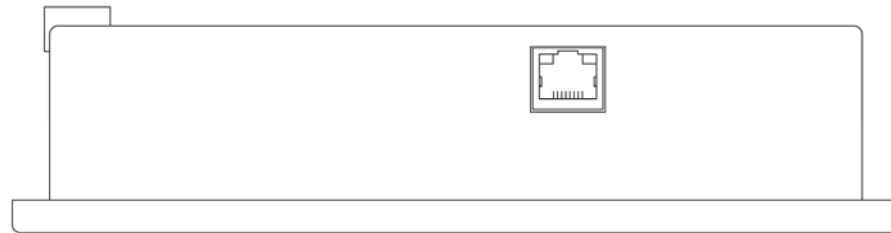
**PANEL CUTOUT**



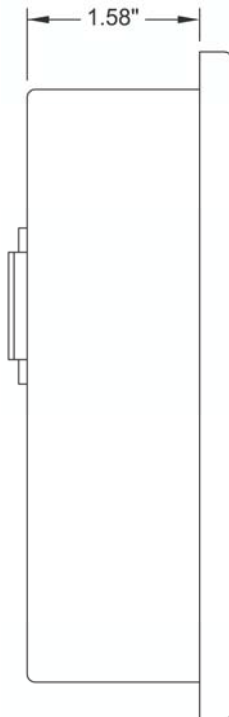
**ENCLOSURE REAR**



**ENCLOSURE BOTTOM**



**ENCLOSURE LEFT SIDE**



**ENCLOSURE RIGHT SIDE**

