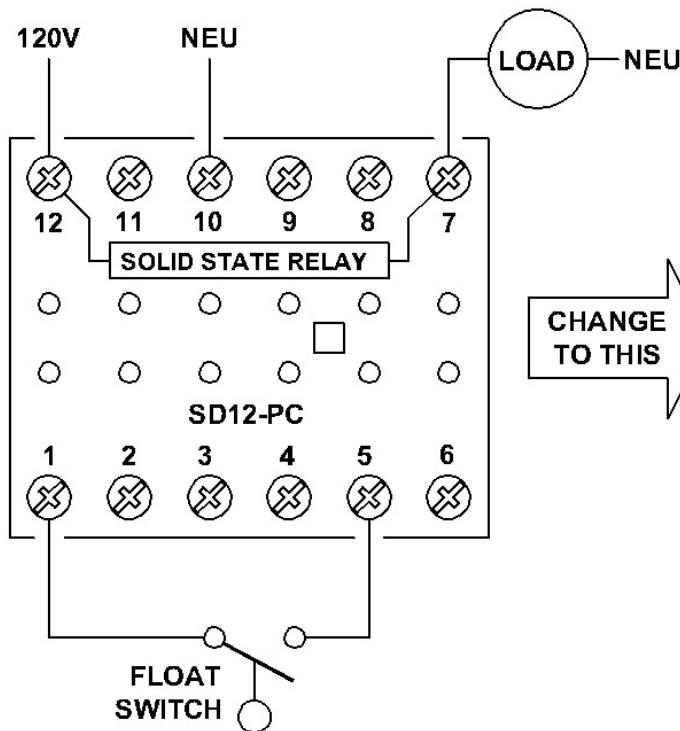




INSTRUCTIONS on how to RE-WIRE an existing control circuit that uses the **ISOLATION SWITCH** to use the **INTRINSICALLY SAFE RELAY**

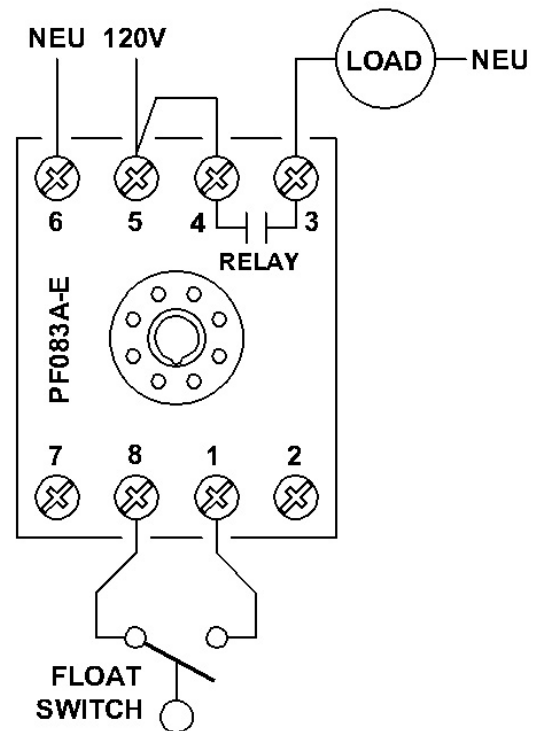
ISOLATION SWITCH

010 - 120 - 101P



INTRINSICALLY SAFE RELAY

030 - 120 - 118



STEP BY STEP PROCEDURE:

1. Turn off the Control Power.
2. Remove the Isolation Switch (010-120-101P).
3. Label all the wires connected to the base of the Isolation Switch, with the terminal number they are currently connected to.
4. Remove all the wires connected to the base (SD12-PC) of the Isolation Switch, and then remove the base.
5. Install the new 8 pin base (PF083A-E) for the Intrinsically Safe Relay.
6. Put the wire that was on terminal 12 on to terminal 5.
7. Put the wire that was on terminal 10 on to terminal 6.
8. Put the wire that was on terminal 7 on to terminal 3.
9. Put the wire that was on terminal 1 on to terminal 8.
10. Put the wire that was on terminal 5 on to terminal 1.
11. Place a jumper from terminal 5 to terminal 4.
12. Install the new Intrinsically Safe Relay.
13. Turn on the Control Power and test the operation of the new circuit.