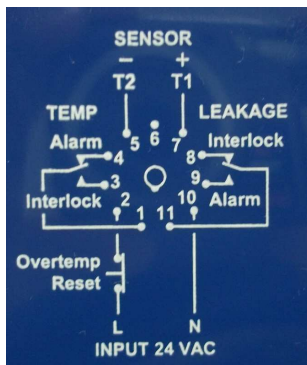


Application Note for Replacement of Xylem-Flygt 14 - 407113 and 14 - 407129

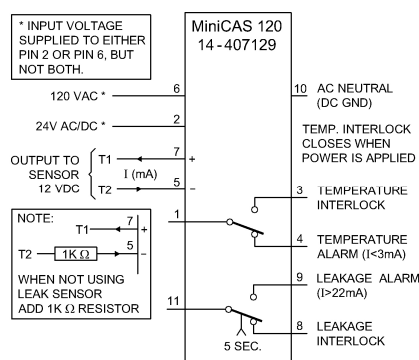
The old Flygt MiniCas unit part numbered 14 - 407113 can be replaced by M.P. Electronics part number PMR2. M.P.E.'s PMR2 is also a direct replacement for the Xylem-Flygt part number 14 - 407129.

The original MiniCas, p/n 14 - 4071143, can be directly replaced by the PMR2. The only difference between the two units when replacing the 14 - 407113 with the PMR2 is that the 14 - 407113 had an external Overtemp Reset pushbutton, while the Overtemp Reset pushbutton for the 14 - 407129 / PMR2 is built into the 14 - 407129 / PMR2.

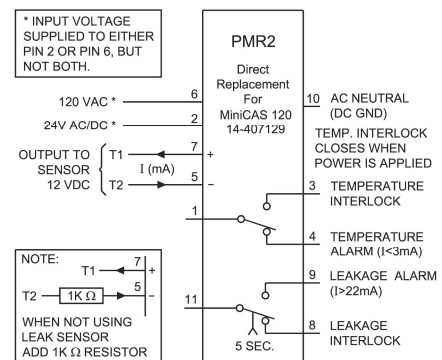
The external manual Overtemp pushbutton may be left as is when replacing the 14 - 407113 with the PMR2, making the replacement very quick – simply replace the 14 - 407113 with the PMR2 by unplugging one, and replacing with the other.



14-407113



14-407129



MPE PMR2