



PUMP MONITOR RELAY - PMR1

Application Note For

Motor Thermal Input Noise Suppression

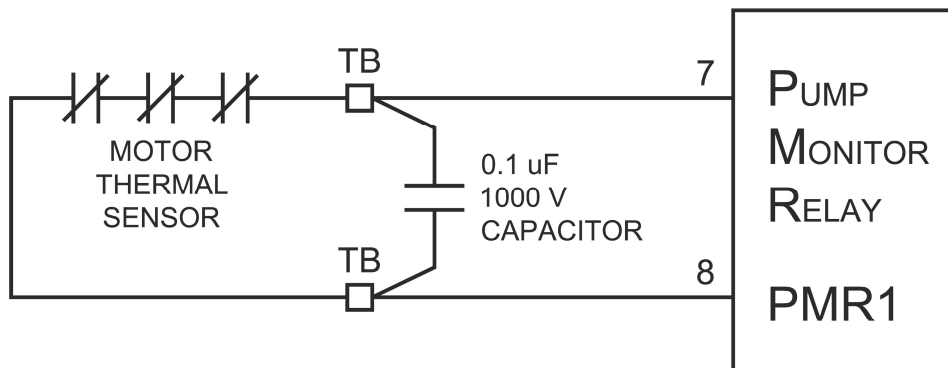
Using a Capacitor

DESCRIPTION

In applications where Variable Frequency Drives or Soft Start Starters are used, the addition of a Capacitor to the Motor Thermal Input circuit is recommended to suppress the electrical noise generated by the Pump Motor Leads.

The Capacitor should be a 0.1 μ F, 1000 VDC (250 VAC) Polyester Film Capacitor with spade terminals crimped and soldered to the leads. A short piece of Heat Shrink or a piece of insulation from a wire should be added to cover the Capacitor leads. See picture below.

The diagram below shows the best place to add the Capacitor. It may also be added across terminals 7 and 8 on the PMR1 Socket.



Recommended Capacitors:

Manufacturer: Illinois Capacitor - Part #: 104MSR102K
Allied Electronics - Stock #: 70112029 Phone #: (866) 433-5722, www.alliedelec.com

Manufacturer: Cornell Dubilier - Part #: DME10P1K-F
Mouser Electronics - Part #: 5989-1KV0.1F Phone #: (800) 346-6873, www.mouser.com